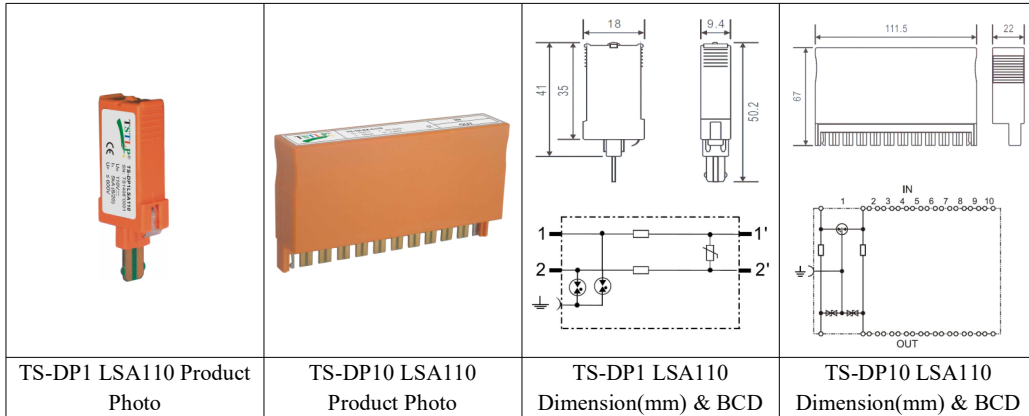




■ **TSTLP®/TS-DP LSA Series Surge Arrester for LSA-PLUS Technology System**

- ❖ **INTRODUCTION:** TS-DP1 LSA110 & TS-DP10 LSA is designed according to GB 18802.21-2004/IEC 61643-21:2000, based on the LSA-PLUS wiring technology, easy for installation. it can provide surge voltage protection for one pairs of conductors or two single conductors( or 10-pair of conductors or 20 single conductors). Mainly used for telephone system or measurement and control system.
- ❖ We're able to make **different CIRCUIT, Voltage & Technical Data** according to customers' requirement, just tell exact product application needed or send us sample(s) to make.



❖ **TECHNICAL DATA**

Model		<b>TS-DP1 LSA110</b>	<b>TS-DP10 LSA110</b>
Nominal voltage	$U_n$	110V-	110V-
Rated voltage (max. continuous voltage)	$U_c$	180V- /126V~	120V- / 84.6V~
Nominal current	$I_L$	370mA	180mA
Nominal discharge current (8/20)	$I_n$	5kA (per line)	5kA (per line)
Voltage protection level at 1KV/ $\mu$ S	$U_p$	$\leq 250V$ (line-line) $\leq 600V$ (line-PG)	$\leq 180V$ (line-PG)
Response time	$t_A$	$\leq 25ns$ (line-line) $\leq 100ns$ (line-PG)	$\leq 1ns$ (line-line) $\leq 1ns$ (line-PG)
Bandwidth	$f_G$	30MHz ( line - line )	10.0MHz ( line -PG)
Series impedance per line	R	4.7 $\Omega$	22 $\Omega$
Capacitance	C	$\leq 0.2nF$ $\leq 15pF$	$\leq 1nF$ (l ine-PG)
Relative humidity		$\leq 95\%$ (25°C)	
Operating temperature range		-40°C~ - +80°C	-20°C~ - +80°C
Pluggable into		LSA-PLUS disconnection block	
Earthing via		Earthing BusBar	
Enclosure material		Orange thermoplastic material , UL94-V0	
Standards		IEC 61643-21:2000; GB 18802.21-2004; YD/T 1542-2006	
Certification		CE (LVD, EMC)	

❖ **MAIN CHARACTER**

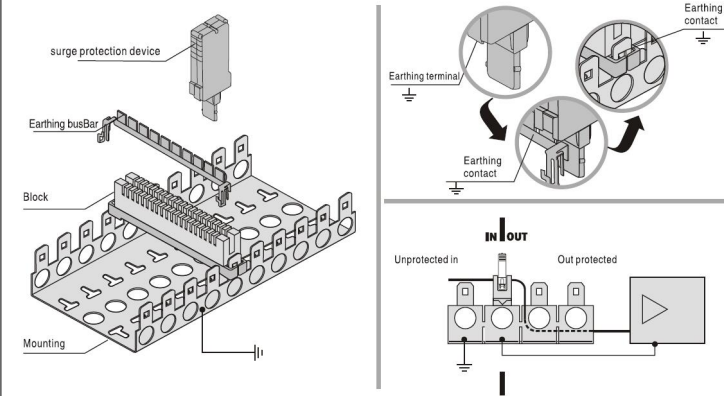
- ✓ Good transmission
- ✓ Decoupling resistance integrated
- ✓ For installing at LPZ 0B-2 or higher

**Installation instruction**

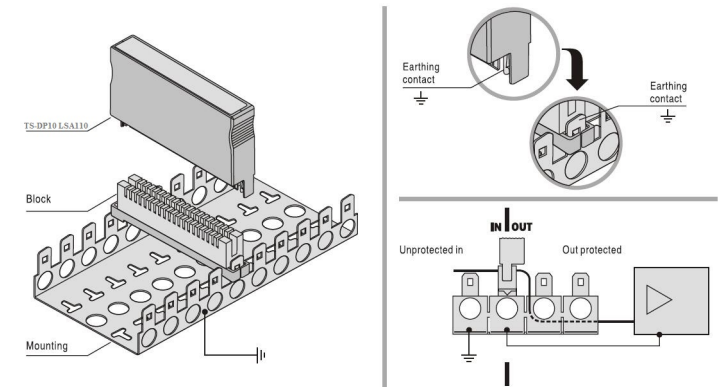
1. The device must be installed in correct direction.
2. Plug earthing BusBar into input terminal of LSA-PLUS disconnection block
3. Plug this product into the jack of LSA-PLUS disconnection block;make sure earthing terminal is contacted fully with earthing BusBar.

**Regularly inspect the operating status, especially after lightning. Once the communication is off, electrician should check/replacethe SPD.**

**TS-DP1 LSA110 installation diagram**



**TS-DP10 LSA110 installation diagram**



**WARNING:**

1. The device must be installed by electrically skilled person, conforming to national standards and safety regulations.
2. It is recommended that installation should be done under power off condition.